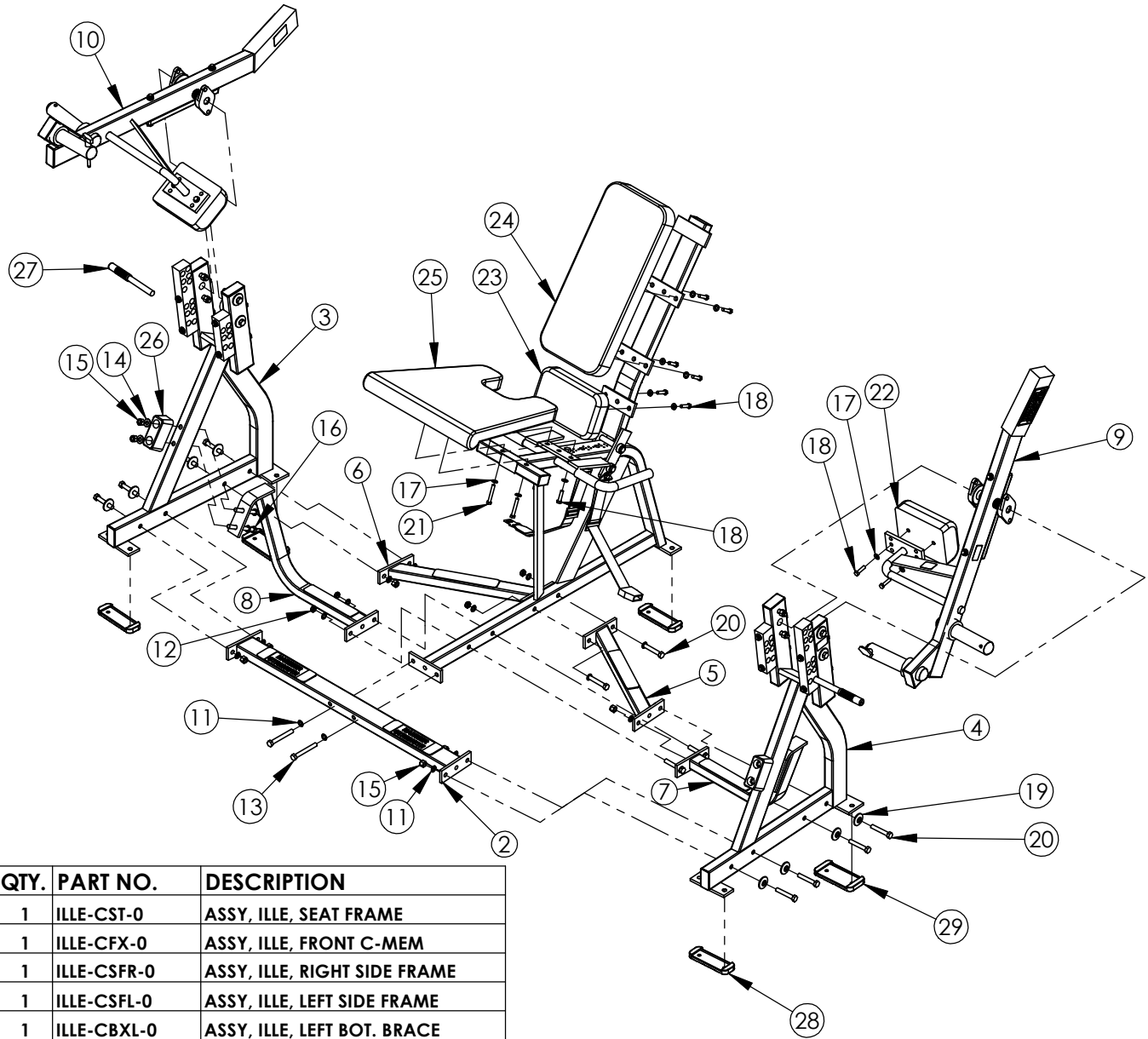


WEIGHT = 296.6 lb  
LENGTH = 54"  
WIDTH = 57"  
HEIGHT = 57"

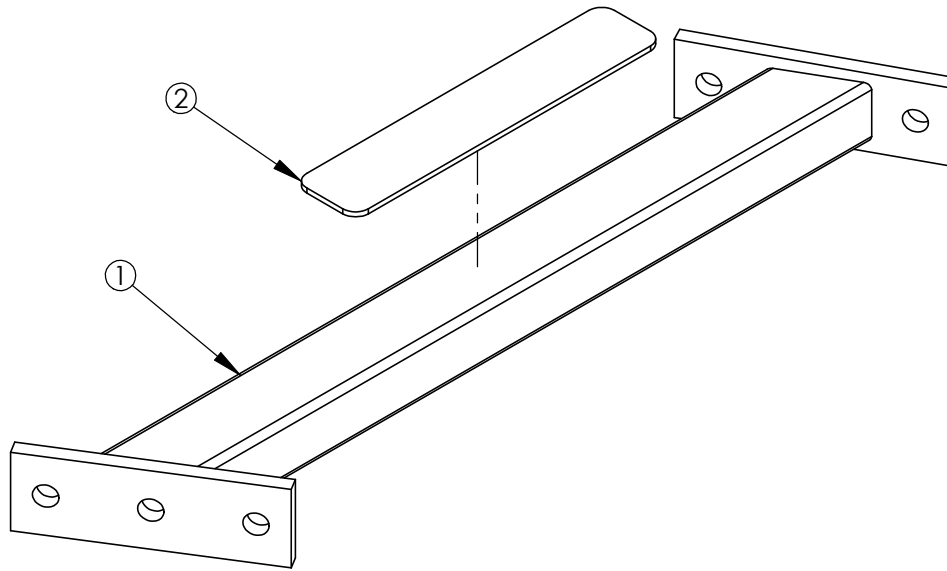
# HAMMER STRENGTH EQUIPMENT



ITEM NO.	QTY.	PART NO.	DESCRIPTION
1	1	ILLE-CST-0	ASSY, ILLE, SEAT FRAME
2	1	ILLE-CFX-0	ASSY, ILLE, FRONT C-MEM
3	1	ILLE-CSFR-0	ASSY, ILLE, RIGHT SIDE FRAME
4	1	ILLE-CSFL-0	ASSY, ILLE, LEFT SIDE FRAME
5	1	ILLE-CBXL-0	ASSY, ILLE, LEFT BOT. BRACE
6	1	ILLE-CBXR-0	ASSY, ILLE, RIGHT BOT. BRACE
7	1	ILLE-CETCL-0	ASSY, ILLE, LEFT CEN. BRACE
8	1	ILLE-CETCR-0	ASSY, ILLE, RIGHT CEN. BRACE
9	1	ILLE-CMAL-2	ASSY, ILLE, LEFT MARM
10	1	ILLE-CMAR-2	ASSY, ILLE, RIGHT MARM
11	24	WASH.5STAR	1/2" INTERNAL LOCK WASHER
12	6	NUT.5JAMLOCK	1/2 THIN LOCK NUT
13	2	HHB.5X4	1/2 X 4 BOLT
14	4	WASH.5SAE	1/2" SAE FLAT WASHER
15	12	NUT.5LOCK	1/2 DIA THICK LOCK NUT
16	4	HHB.5X5	1/2 X 5 BOLT
17	14	WASH.375SAE	3/8" SAE FLAT WASHER
18	12	HHB.375X1.5	STEEL BOLT 3/8 X 1.5
19	8	H-BACK-WASH	BACKING WASHER
20	12	HHB.5X3	1/2 X 3 BOLT
21	2	HHB.375X2.5	STEEL BOLT 3/8 X 2.5
22	2	U-8-4.5	8X4.5 PAD
23	1	U-10-4.5S-NC	PAD, 10-4.5
24	1	U-24-10	24X10 PAD
25	1	U-PLLE	Seat Pad
26	2	H-BUMP-MED	MM2 MEDIUM
27	2	LimiterRodS	SHORT RANGE LIMITER ROD
28	3	MM-8	2 X 6 FLANGE RUBBER SLIPPER
29	2	MM-9	3 X 6 FLANGE RUBBER SLIPPER



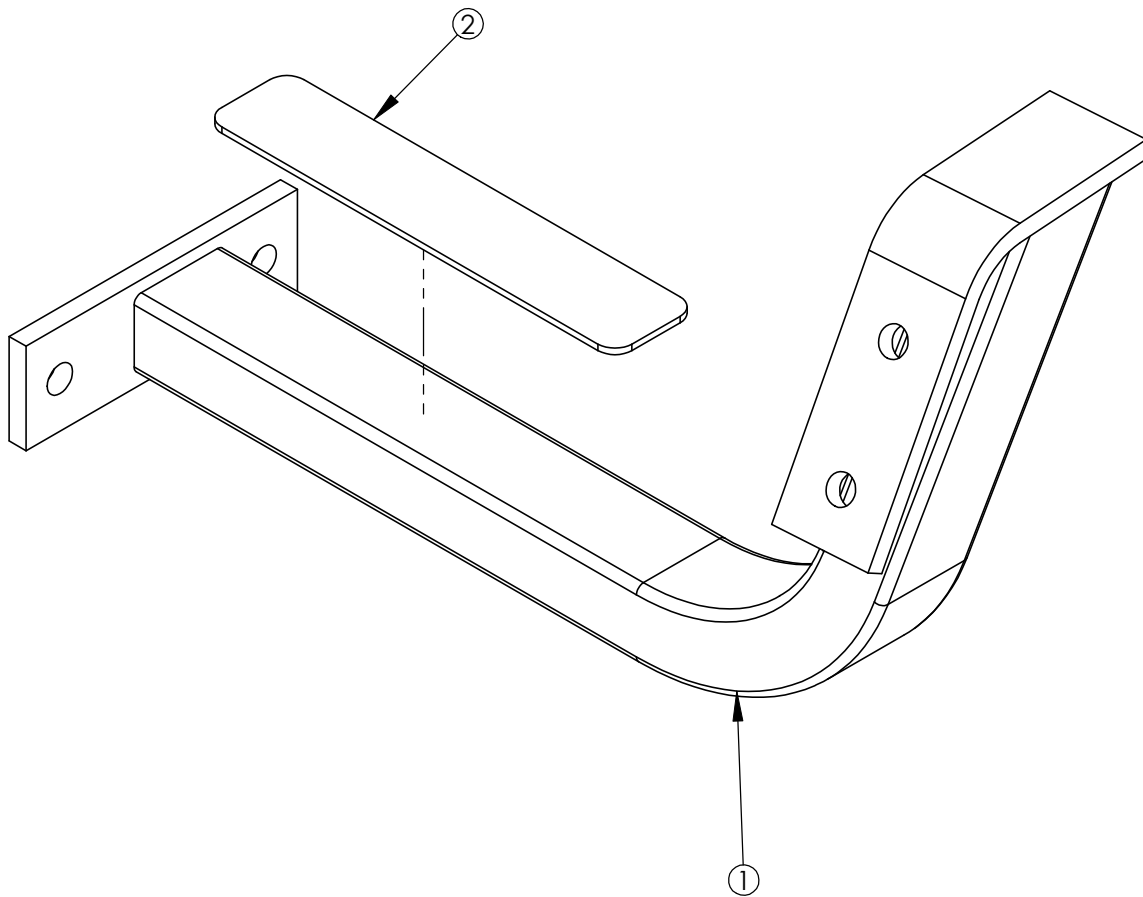
**HAMMER STRENGTH EQUIPMENT**  
**ILLE-CBXL-0, ASSY, ILLE, LEFT BOT. BRACE**  
**CBXR is mirror image**



WEIGHT = 8 LB  
 LENGTH = 24"  
 WIDTH = 6 1/2"  
 HEIGHT = 2"

ITEM NO.	QTY.	PART NO.	DESCRIPTION
1	1	ILLE-BX-0	WLDMT, ILLE, REAR DIA. BRACE
2	1	H-NONSKID 2X9	PLASTIC NON SKID STRIP 2 X 9

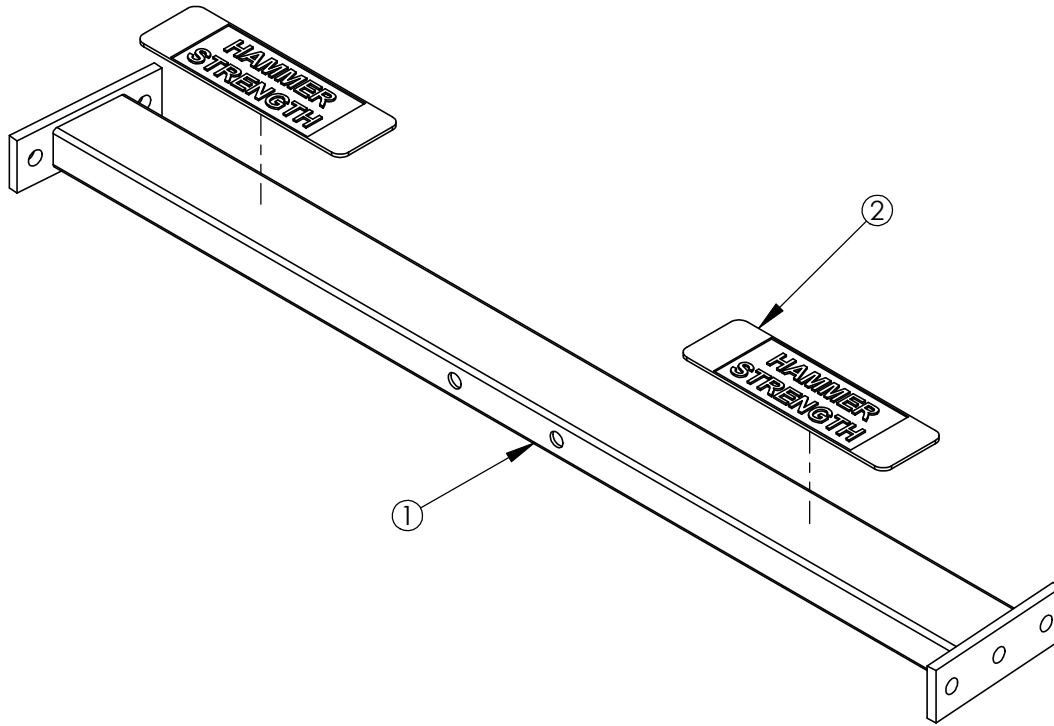
**HAMMER STRENGTH EQUIPMENT**  
**ILLE-CETCL-0, ASSY, ILLE, LEFT CEN. BRACE**



WEIGHT = 9 lb  
 LENGTH = 21"  
 WIDTH = 14"  
 HEIGHT = 8"

ITEM NO.	QTY.	PART NO.	DESCRIPTION
1	1	ILLE-ETCL-0	WLDMT, ILLE, LEFT CEN. BRACE
2	1	H-NONSKID	PLASTIC NON SKID STRIP 2 X 9

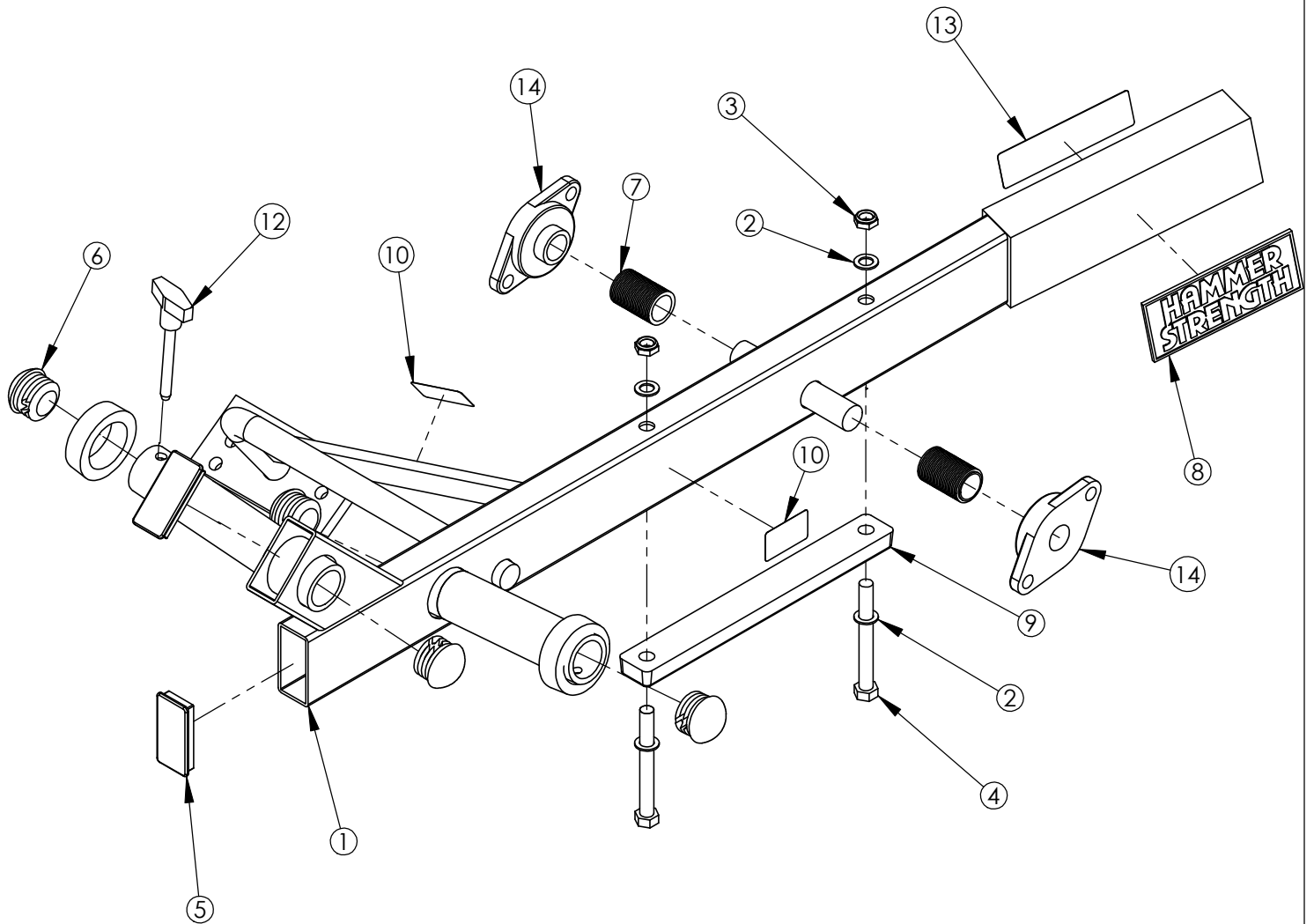
**HAMMER STRENGTH EQUIPMENT**  
**ILLE-CFX-0, ASSY, ILLE, FRONT C-MEM**



ITEM NO.	QTY.	PART NO.	DESCRIPTION
1	1	ILLE-FX-0	Front Frame
2	2	H-NONSKID3	2 5/8 X 9 Nonskid

WEIGHT = 15 lb  
 LENGTH = 41"  
 WIDTH = 6"  
 HEIGHT = 2"

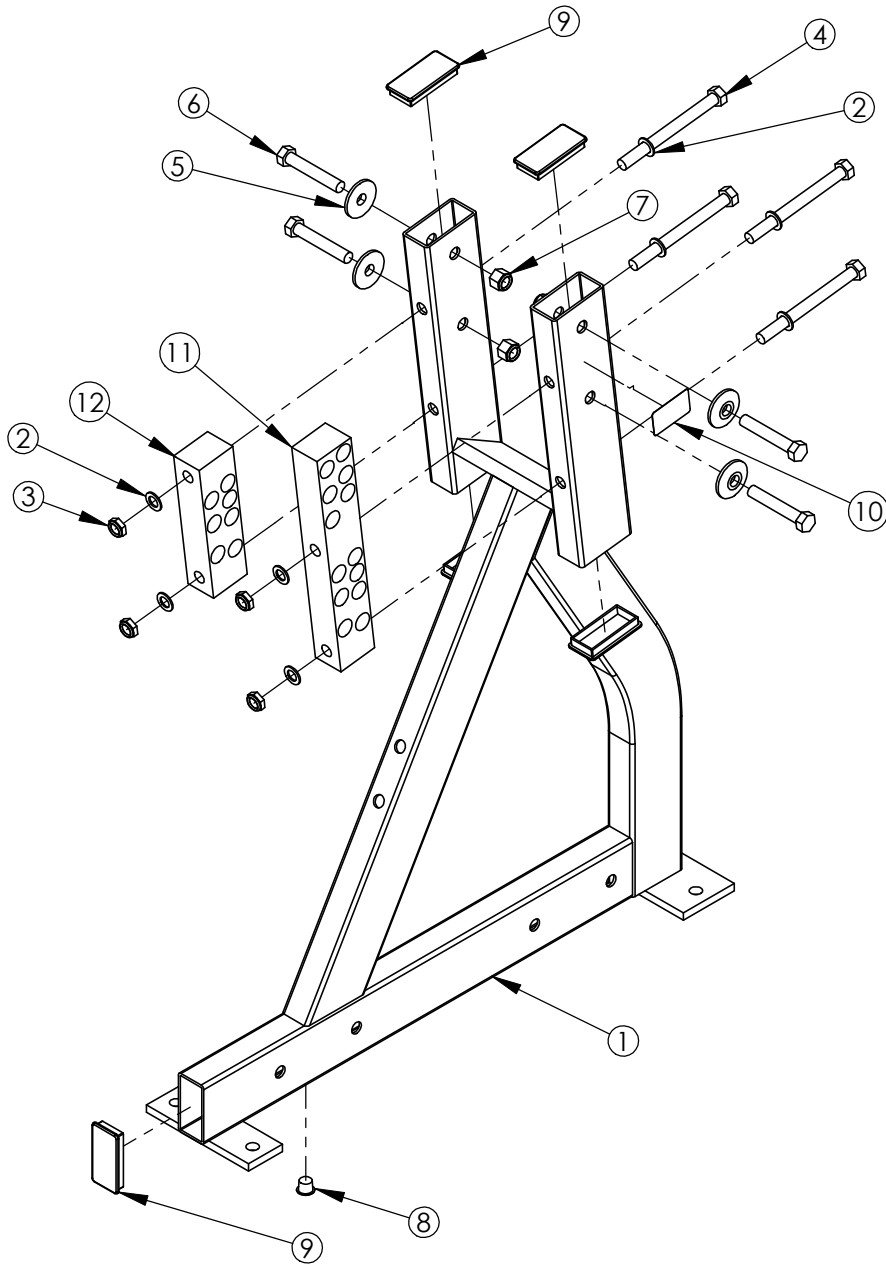
**HAMMER STRENGTH EQUIPMENT  
ILLC-CMAL-2, ASSY, ILLE, LEFT MARM**



ITEM NO.	QTY.	PART NO.	DESCRIPTION
1	1	ILLE-MAL-1	WLDMT, ILLE, LEFT MARM
2	4	WASH.5STAR	1/2" INTERNAL LOCK WASHER
3	2	NUT.5JAMLOCK	1/2 THIN LOCK NUT
4	2	HHB.5X4.5	1/2 X 4 1/2 BOLT
5	2	RC1530-1Q1	CAP:1-1/2 X 3 RECTANGLE PLUG
6	4	RUBCAP1	RUBBER MOVEMENT ARM CAP
7	2	ACCORDIAN	SHAFT GUARD
8	1	H-NAME PLATE	NAMEPLATE (45156-P)
9	1	H-STR-BUMP	MM4-12
10	2	STAY CLEAR	STAY CLEAR DECAL
11	2	H-RUBRNG	MM5 RING
12	1	SELECTOR PIN-3	SELECTOR PIN 3 IN.
13	1	IDILE	PRODUCT DECAL
14	2	H-BEAR-SML	SMALL BEARING

WEIGHT = 43.5 LB  
 LENGTH = 48"  
 WIDTH = 25"  
 HEIGHT = 12 1/2"

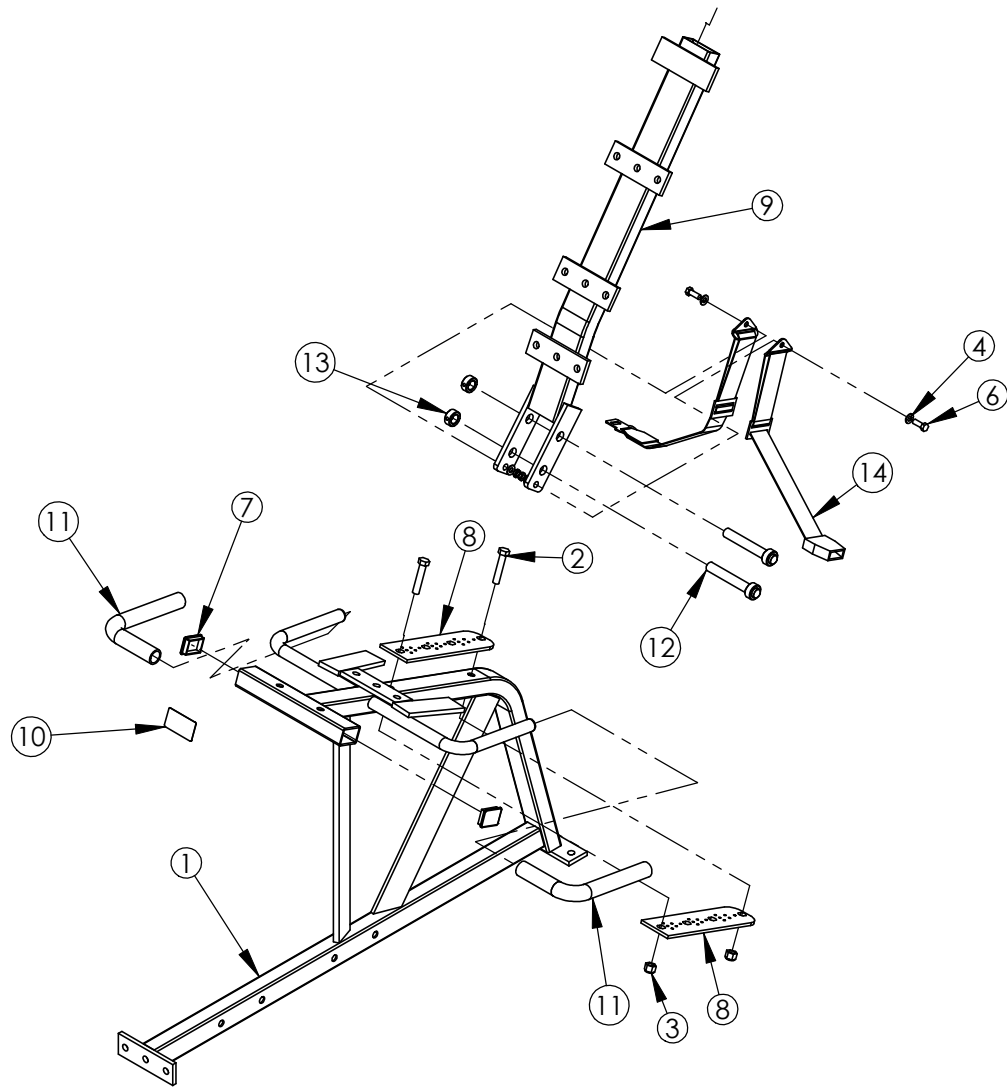
**HAMMER STRENGTH EQUIPMENT**  
**ILLE-CSFL-0, ASSY, ILLE, LEFT SIDE FRAME**



ITEM NO.	QTY.	PART NO.	DESCRIPTION
1	1	ILLE-SF-0	WLDMT, ILLE, SIDE FRAME
2	8	WASH.5STAR	1/2" INTERNAL LOCK WASHER
3	4	NUT.5JAMLOCK	1/2 THIN LOCK NUT
4	4	HHB.5X5.5	1/2 X 5 1/2 BOLT
5	4	H-BACK-WASH	BACKING WASHER
6	4	HHB.5X3	1/2 X 3 BOLT
7	4	NUT.5LOCK	1/2 DIA THICK LOCK NUT
8	1	H-HPLUG (REG)	9/16IN HOLE PLUG
9	5	RC1530-1Q1	CAP:1-1/2 X 3 RECTANGLE PLUG
10	1	STAY CLEAR	STAY CLEAR DECAL
11	1	ILLE-18-0	Outboard Marm Stop
12	1	ILLE-19-0	Inboard Marm Stop

WEIGHT = 50 LB  
 LENGTH = 29 1/2"  
 WIDTH = 37 1/2"  
 HEIGHT = 10 1/2"

# HAMMER STRENGTH EQUIPMENT ILLE-CST-0, ASSY, ILLE, SEAT FRAME



ITEM NO.	QTY.	PART NO.	DESCRIPTION
1	1	ILLE-ST-0	WLDMT, ILLE, SEAT FRAME
2	2	HHB.5X2.5	1/2 X 2 1/2 BOLT
3	2	NUT.5LOCK	1/2 DIA THICK LOCK NUT
4	4	WASH.375SAE	3/8" SAE FLAT WASHER
5	2	NUT.375JAMLOCK	3/8 THIN LOCK NUT
6	2	HHB.375X1	STEEL BOLT 3/8 X 1
7	2	RC1520-1Q1	CAP:1-1/2 X 2 RECTANGLE PLUG
8	2	H-SEATRCKS-CUT	ORIGINAL SEAT RACK
9	1	ILLE-AJST-1	WLDMT, ILLE, ADJ. SEAT BACK
10	1	SERIAL NUMBER	SERIAL NUMBER
11	2	H-GRIP(ILLE-C01)	HANDLE GRIPS (.938X1.6)
12	2	STshft	Seat Shaft
13	4	H-LCOLLAR75	3/4 LOCK COLLAR
14	1	SEATBELT-ASSEM	Seatbelt, Complete

WEIGHT = 73 lb  
 LENGTH = 53 1/2"  
 WIDTH = 22"  
 HEIGHT = 50"